

Thermowells

Thermowells are used to provide an isolation between a temperature sensor and the environment, either liquid, gas or slurry. A thermowell allows the temperature sensor to be removed and replaced without compromising either the ambient region or the process.

Care must be taken in determining the material used for the thermowell as well as other factors. Thermo Sensors offers design assistance that includes pressure, temperature and or corrosion as well as vibration effects of the fluids. This vibration can cause well stem failure.



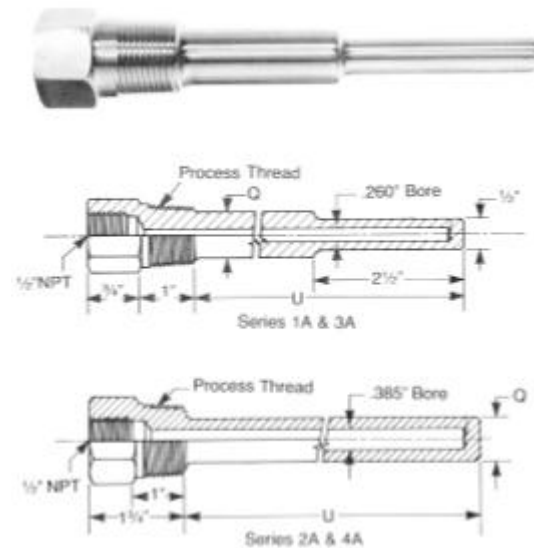
Thermo Sensors thermowell materials include:

- Carbon Steel
- 304 & 316 Stainless Steel
- Monel
- Brass

Please refer to our order guide to assist in determining your needs. We can also provide technical design assistance and application suggestions. Give us a call.

Threaded Thermowells - Straight/Stepped

Series A: Threaded Straight Stem Thermowells



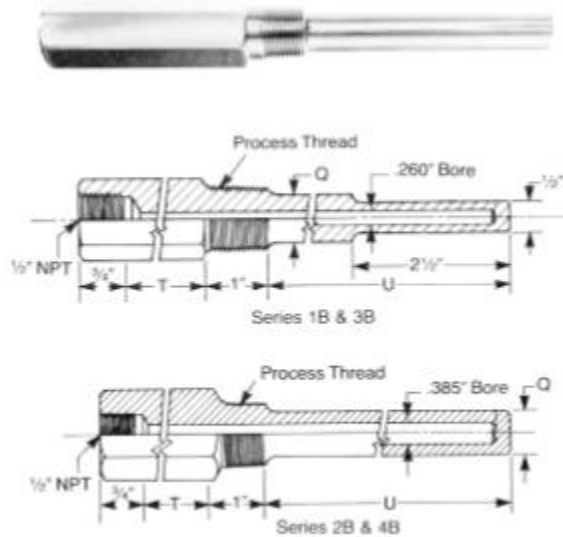
A Leading Manufacturer of Quality Thermocouple and RTD Assemblies Since 1972

Process Thread	Bore	Q	Ordering Code		
			Type	Material	"U"
1/2" NPT	.260	5/8"	1/2A	Select Material Code from Here	Specify in Inches ----- Standard Lengths: 2 1/2", 4 1/2", 7 1/2", 10 1/2", 13 1/2", 16 1/2", 22 1/2"
	-	-	-		
3/4" NPT	.260	3/4"	1A		
	.385	49/64"	2A		
1" NPT	.260	7/8"	3A		
	.385	49/64"	4A		

How to Order:

Example: 2A36-10 1/2
 Process Thread = 3/4" NPT
 Bore = .385"
 Material = 316 Stainless Steel
 "U" = 10 1/2"

Series B: Threaded Straight Stem Lagging Thermowells



A Leading Manufacturer of Quality Thermocouple and RTD Assemblies Since 1972

Process Thread	Bore	Q	Ordering Code			
			Type	Material	"T"	"U"
1/2" NPT	.260	5/8"	1/2 B	Select Material Code from Here	Standard "T" & "U" Dimensions: ----- Specify in Inches	"T" "U" 2" 2 1/2" 3" 4 1/2" 3" 7 1/2" 3" 10 1/2" 3" 13 1/2" 3" 19 1/2"
	-	-	-			
3/4" NPT	.260	3/4"	1B			
	.385	49/64"	2B			
1" NPT	.260	7/8"	3B			
	.385	49/64"	4B			

How to Order:

Example: 2B34-T3-4 1/2
 Process Thread = 3/4" NPT
 Bore = .385"
 Material = 304 Stainless Steel
 "T" = 3"
 "U" = 4 1/2"