

# Thermowells

Thermowells are used to provide an isolation between a temperature sensor and the environment, either liquid, gas or slurry. A thermowell allows the temperature sensor to be removed and replaced without compromising either the ambient region or the process.

Care must be taken in determining the material used for the thermowell as well as other factors. Thermo Sensors offers design assistance that includes pressure, temperature and or corrosion as well as vibration effects of the fluids. This vibration can cause well stem failure.



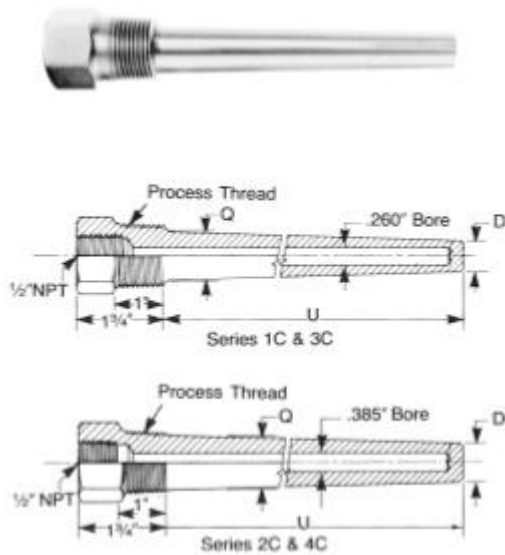
Thermo Sensors thermowell materials include:

- Carbon Steel
- 304 & 316 Stainless Steel
- Monel
- Brass

Please refer to our order guide to assist in determining your needs. We can also provide technical design assistance and application suggestions. Give us a call.

## Threaded Thermowells - Tapered

### Series C: Threaded Tapered Stem Thermowells



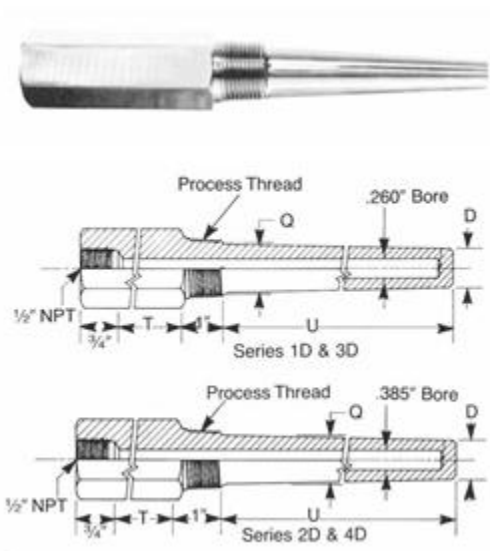
A Leading Manufacturer of Quality Thermocouple and RTD Assemblies Since 1972

Process Thread	Bore	Q	D	Ordering Code		
				Type	Material	"U"
1/2" NPT	.260	1 1/16"	5/8"	1/2 C	Select Material Code from <a href="#">Here</a>	Specify in Inches ----- Standard Lengths: 2 1/2", 4 1/2", 7 1/2", 10 1/2", 13 1/2", 16 1/2", 22 1/2"
	-	-	-	-		
3/4" NPT	.260	7/8"	5/8"	1C		
	.385	7/8"	49/64"	2C		
1" NPT	.260	1 1/16"	5/8"	3C		
	.385	1 1/16"	49/64"	4C		

### How to Order:

**Example:** 3C60-7 1/2  
 Process Thread = 1" NPT  
 Bore = .260"  
 "Q" = 1 1/16"  
 "D" = 5/8"  
 Material = Inconel 600  
 "U" = 7 1/2"

### Series D: Threaded Tapered Stem Lagging Thermowells



A Leading Manufacturer of Quality Thermocouple and RTD Assemblies Since 1972

Process Thread	Bore	Q	D	Ordering Code		
				Type	Material	"T"   "U"
1/2" NPT	.260	1 1/16"	5/8"	1/2 D	Select Material Code from <a href="#">Here</a>	Standard "T" & "U" Dimensions: ----- Specify in Inches "T" "U" 2" 2 1/2" 3" 4 1/2" 3" 7 1/2" 3" 10 1/2" 3" 13 1/2" 3" 19 1/2"
	-	-	-			
3/4" NPT	.260	7/8"	5/8"	1D		
	.385	7/8"	49/64"	2D		
1" NPT	.260	1 1/16"	5/8"	3D		
	.385	1 1/16"	49/64"	4D		

### How to Order:

**Example:** 4D40-T2-2 1/2  
 Process Thread = 1" NPT  
 Bore = .385"  
 "Q" = 1 1/16"  
 "D" = 49/64"  
 Material = 410 Stainless Steel  
 "T" = 2"  
 "U" = 2 1/2"